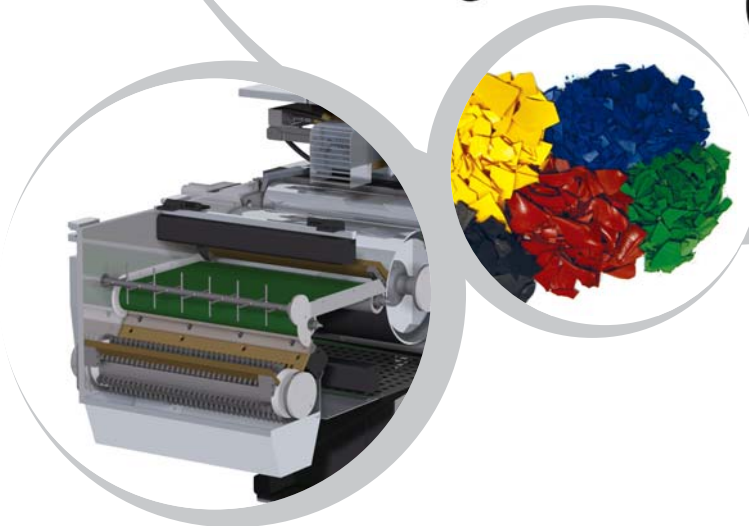


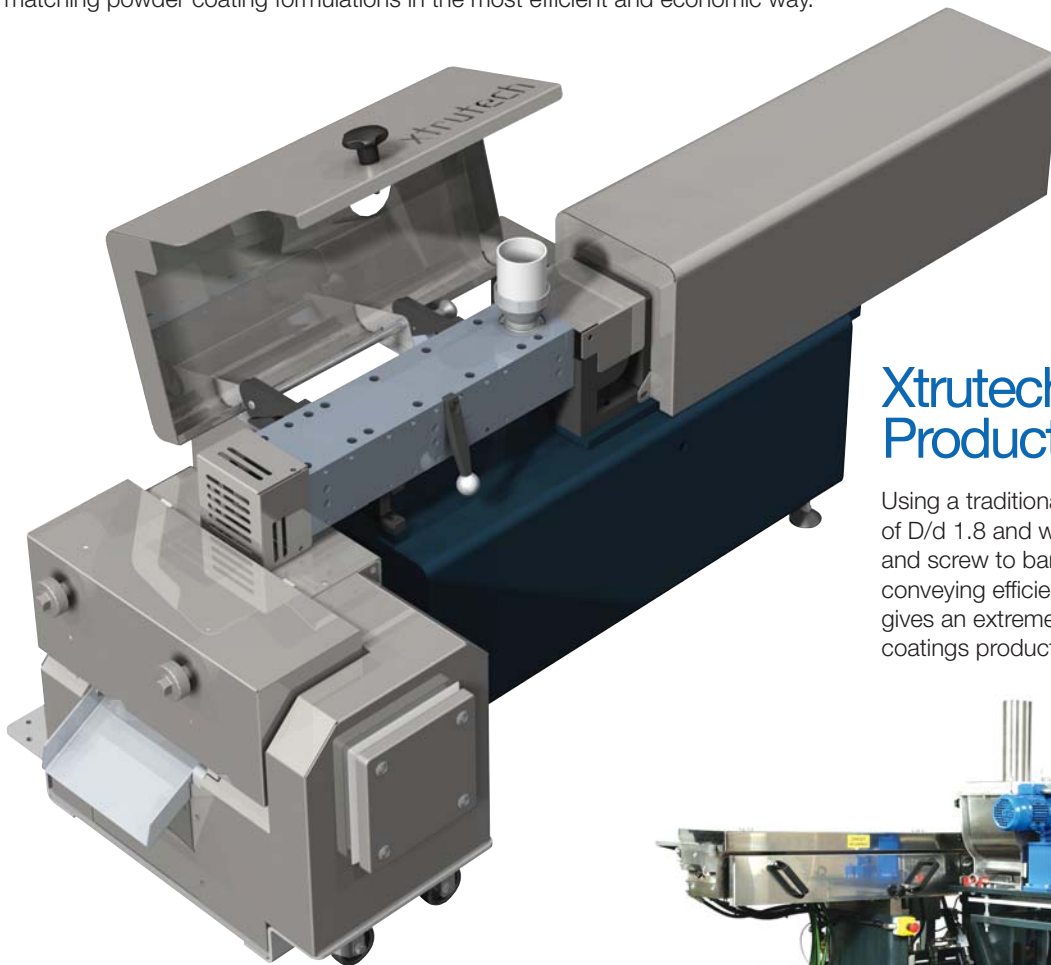
# twin screw lab and R&D extruders

for powder coatings



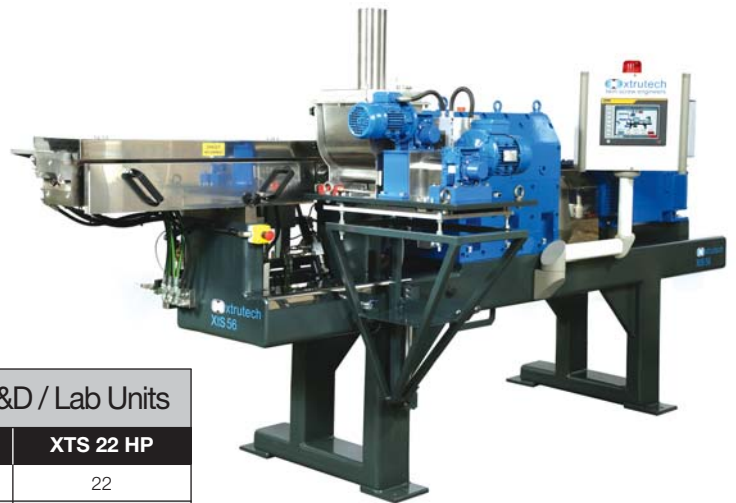
# XTS 19 Bench Top

The XTS range of Powder Coating Extruders for Lab and R&D has been developed by **Xtrutech**, based on their intimate knowledge and experience of designing, building and running twin screw extruders for the Powder Coating and Thermoplastic Compounding industries. **Xtrutech** have assimilated the high volume clamshell geometry from the APV 'MP-PC' machine, coupled with the robustness and reliability of the W&P, ZSK series, to produce the optimum machine for developing new formulation and colour matching powder coating formulations in the most efficient and economic way.



## Xtrutech Production Machines

Using a traditional high free volume geometry of D/d 1.8 and with reduced screw to screw and screw to barrel clearances, optimising the conveying efficiency of the XTS compounder, gives an extremely cost effective powder coatings production machine



Powder Coatings	Bench Top	Compact R&D / Lab Units	
Model	XTS 19	XTS 24	XTS 22 HP
Diameter (mm)	19	24	22
Geometry D/d	1.8	1.8	1.6
Motor (kW)	3.5	9.2	11.5
Screw Speed (RPM)	900	900	1200
Maximum Torque (Nm)/shaft	22	44	44
Maximum barrel length (L/D)	40	48	48
Typical outputs Kg/hr up to	50	140	140



+44 (0)1782 621122 | [sales@xtrutech.com](mailto:sales@xtrutech.com)  
[www.xtrutech.com](http://www.xtrutech.com)

Xtrutech Limited  
 710 Lowfield Drive  
 Centre 500  
 Newcastle-under-Lyme  
 Staffordshire ST5 0UU  
 United Kingdom

INTERNATIONAL  
**TRADE AWARDS**  
 REGIONAL WINNERS 2009



### Xtrutech Compounding Range

- Lab Extruder and R&D unit XTS24 compact line
- Production machines XTS30, XTS40, XTS50, XTS60 and XTS75

### Services

- Screw Elements & Shafts
- Barrels & Liners
- Process Optimisation
- Barrel Retrofits
- Upgrades & Refurbishments
- Service Engineering

### OEM Service

- APV / Baker Perkins
- Coperion / W&P
- Leistritz
- Theysohn
- Maris
- OMC